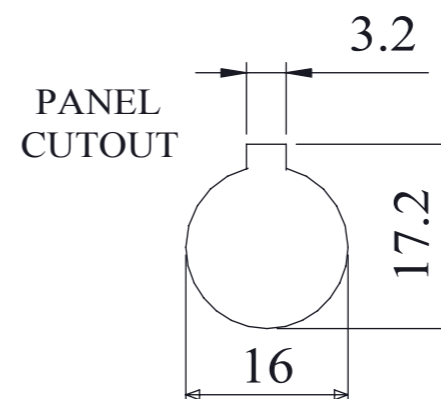
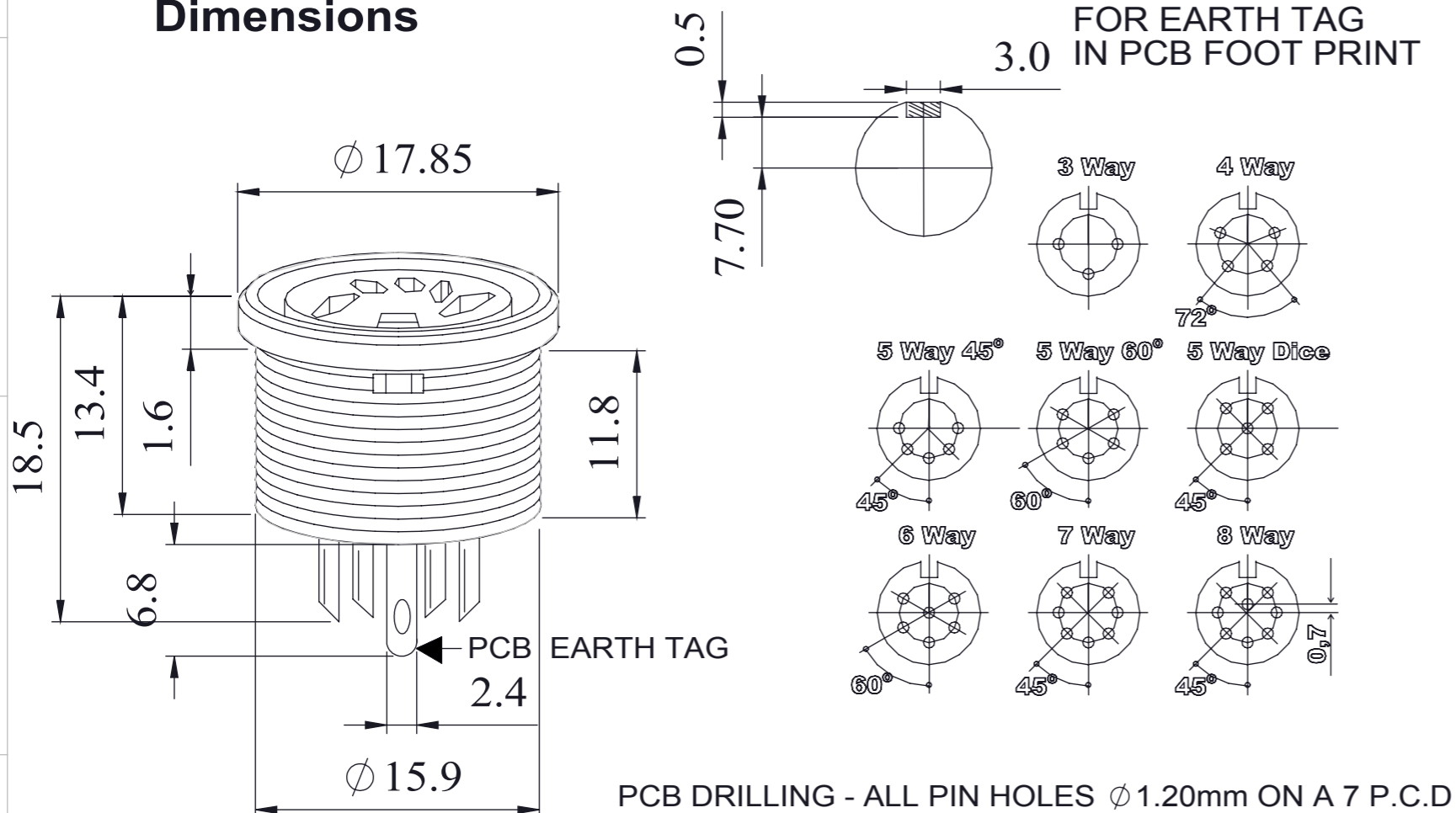


RoHS
2002/95/EC
✓
Compliant

A fully screened robust range of DIN connectors for use in instrumentation and audio applications. Available in two finishes; bright nickel and non-reflective electrically conductive matt black.
The line socket mates with all standard and lockable plugs
Manufactured to DIN 41524,45322,45326,45327,and45329.

TYPE	NUMBER
3 Way	690-0300
4 Way	690-0400
5 Way 45°	690-0500
5 Way 60°	690-0510
5 Way Dice	690-0520
6 Way	690-0600
7 Way	690-0700
8 Way	690-0800
Hex Nut	650-003-3

Dimensions



Materials	
Housing	Brass Sprayed With Black Paint
Moulding	Lexan 500R
Contacts	Brass Silver Plated
Electrical	
Rated Voltage	34 V a.c. or d.c.
Current Rating	2.A
Test Voltage	500 V r.m.s.
Insulation Resistance	103 MΩ min at 100 V d.c
Contact Resistance	10 mΩ max
Capacitance (mated)	3pF
Climatic	
Climatic category	25/070/21
Temperature Range	-25°C to +70°C
Damp heat, steady state	21 days

Tel No.+44(0)1724273200 Website www.dem-uk.com



PROPRIETARY AND CONFIDENTIAL
THE INFORMATION CONTAINED IN THIS DRAWING IS THE SOLE PROPERTY OF ALPHA 3 MANUFACTURING.
ANY REPRODUCTION IN PART OR AS A WHOLE WITHOUT THE WRITTEN PERMISSION OF ALPHA 3 MANUFACTURING IS PROHIBITED.

DEM Manufacturing, Deltron Emcon House
Hargreaves Way, Sawcliffe Ind. Park,
Scunthorpe, North Lincolnshire, DN15 8RF, UK

UNLESS OTHERWISE SPECIFIED:
DIMENSIONS ARE IN MILLIMETRES
LINEAR TOLERANCE:
NO DECIMAL PLACES ±0.5mm
1 DECIMAL PLACE ±0.25mm
2 DECIMAL PLACES ±0.125mm
ANGULAR TOLERANCE: ±1°

FINISH	DEBURR AND BREAK SHARP EDGES	DRAWN BY	SPB	TITLE	PROFESSIONAL CIRCULAR PCB MOUNTING SOCKET	
		APPROVED BY	WC			
		THIRD ANGLE PROJECTION		SHEET 1 OF 1	DRAWING NO.	690 SERIES
				SCALE 1:0.8		ISSUE 08
MATERIAL	SEE SPEC TOP RIGHT		A3			Release

IF IN DOUBT ASK
DO NOT SCALE DRAWING